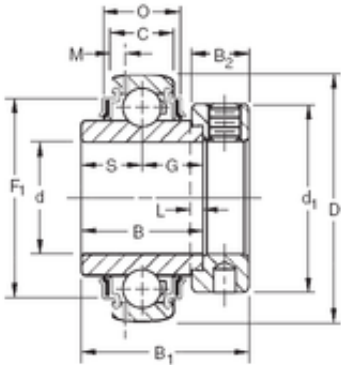




# BEARING CORP. OF AMERICA

## 68,2625 mm x 150 mm x 68,26 mm TIMKEN GN211KRRB Insert Bearings Spherical OD



Bearing No. GN211KRRB

Size	68.2625x150x68.26 mm
Bore Diameter	68,2625 mm
Outer Diameter	150 mm
Width	68,26 mm
d	68,2625 mm
D	150 mm
B	68,26 mm
C	37 mm
P	44,96 mm
O	126,31 mm
d1	101,6 mm
B1	6,73 mm
B2	27 mm
G	34,1 mm
L	6,4 mm
S	34,1 mm
F1	88,9 mm
Weight	4,509 Kg
Basic dynamic load rating (C)	116 kN

GN211KRRB Bearing 2D drawings and 3D CAD models