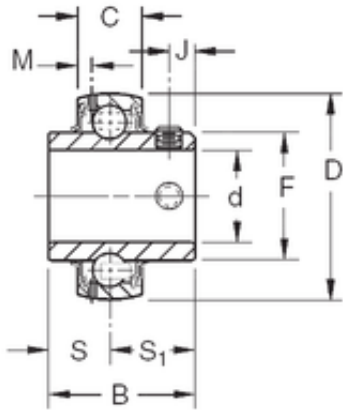




BEARING CORP. OF AMERICA

41,275 mm x 85 mm x 49,22 mm TIMKEN GY1110KRRB SGT Insert Bearings Spherical OD



Bearing No. GY1110KRRB SGT

Size	41.275x85x49.22 mm
Bore Diameter	41,275 mm
Outer Diameter	85 mm
Width	49,22 mm
d	41,275 mm
D	85 mm
B	49,22 mm
C	22 mm
S1	30,17 mm
F	57,92 mm
J	8 mm
M	4,55 mm
S	19,05 mm
Thread (G)	M8X1,25
Basic dynamic load rating (C)	36 kN

GY1110KRRB SGT Bearing 2D drawings and 3D CAD models