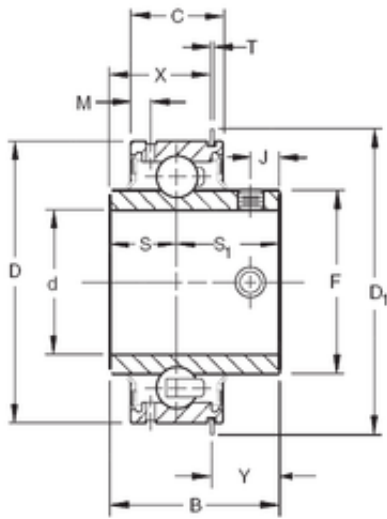




BEARING CORP.OF AMERICA



34,925 mm x 72 mm x 42,86 mm TIMKEN ER22DD Insert Bearings Cylindrical OD

Bearing No. ER22DD

Size	34.925x72x42.86 mm
Bore Diameter	34,925 mm
Outer Diameter	72 mm
Width	42,86 mm
d	34,925 mm
D	72 mm
B	42,86 mm
C	23,81 mm
Y	19,76 mm
S1	25,4 mm
X	23,11 mm
D1	78,2 mm
F	46,83 mm
J	7,94 mm
M	5,56 mm
S	17,46 mm
T	1,6 mm
Thread (G)	M8X1,25

ER22DD Bearing 2D drawings and 3D CAD models